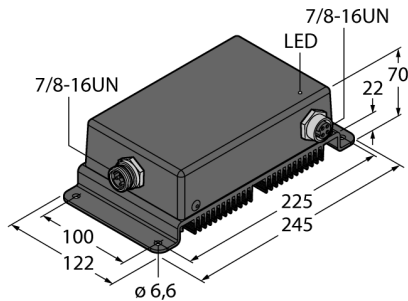
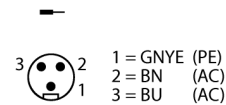


Compact power supply module in IP67
24 VDC output voltage - 8 A output current
PSU67-11-2480/M/G

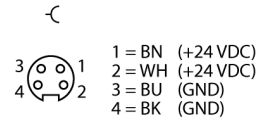


- Broad temperature range
- Status LED
- AC and DC wide-range input
- Mains buffering up to 50 ms
- High efficiency
- No-load and short-circuit proof
- Natural air cooling

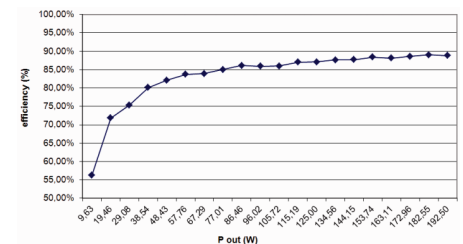
7/8" Input Assignment



7/8" Output Assignment



Characteristic



Note

Pin 3 and 4 (GND) of the output are electrical-ly connected to the housing and to Pin 1 (PE) of the input!

| | |
|-------------------------------|---|
| Type designation | PSU67-11-2480/M/G |
| Ident-No. | 6884250 |
| Nominal voltage | Universal voltage supply unit |
| Operating voltage | 100...240 VAC |
| Frequency | 50...60 Hz |
| Operating voltage range | 100...300 VDC |
| Power consumption | ≤ 217 VA |
| Power dissipation, typ. | ≤ 24 W |
| Mains buffering | Ui: 100...240 VAC/ 50 ms |
| Nominal output voltage | 24 V |
| Nominal current | 8 A |
| Overload protection | 105-130 % |
| Parallel mode | no |
| Ripple | 240 mV |
| Short-circuit behaviour | Current limiting |
| Approval | CE cULus Approved acc. to DIN EN 60950-1 (VDE 0805-1) |
| Operational readiness | LED green |
| Protection class | IP67 |
| Ambient temperature | -25...+60 °C |
| Storage temperature | -40...+85 °C |
| Dimensions | 122 x 245 x 70 mm |
| Weight | 3200 g |
| Housing material | Aluminium, ADC-12 |
| Electrical connection | Connector |
| MTTF | 54 years |
| MTTF note | acc. to SN 29500 (Ed. 99) 40 °C |

Compact power supply module in IP67
24 VDC output voltage - 8 A output current
PSU67-11-2480/M/G

Wiring accessories

| Type code | Ident-No. | Description | |
|---------------------------|-----------|---|--|
| RKM 30-2M | U2027 | Supply cable, 7/8" female connector, straight, 3-pin, cable length: 2 m, jacket material: PVC, yellow; other cable lengths and variants available | |
| B4131-0/9 | 6914501 | Field-wireable female connector, 7/8", straight, 3-pin, screw terminal connection, cable feedthrough 6.0 to 8.0 mm, core cross-section/terminal capacity 0.14 to 1.0 mm ² , plastic housing, metal nut | |
| B4231-0/9 | 6901114 | Field-wireable female connector, 7/8", angled, 3-pin, screw terminal connection, cable feedthrough 6.0 to 8.0 mm, core cross-section/terminal capacity 0.14 to 1.5 mm ² , plastic housing, metal nut | |
| RSM 40-2M | U2084-1 | Power cable, 7/8" male connector, straight, 4-pin, cable length: 2 m, jacket material: PVC, yellow; other cable lengths and variants available | |
| RSM 40 RKM 50-2M/ BL67 | U-19553 | Supply line, 7/8" male connector, straight, 4-pin on 7/8" coupling, straight, 5-pin, cable length: 2 m, jacket material: PVC, yellow; other cable lengths and variants available | |

**Compact power supply module in IP67
24 VDC output voltage - 8 A output current
PSU67-11-2480/M/G**

Wiring accessories

| Type code | Ident-No. | Description | |
|---------------|-----------|---|--|
| RSM-2RKM50 | 6914950 | Power supply T-splitter, 1 x 7/8" male, 2 x 7/8" female, 5-pin, ampacity: 9 A, Rated voltage: 250 V, Temperature: -40 °C ... +80 °C, wired in parallel | |
| BS4141-0/13.5 | 6914510 | Field-wireable male connector, 7/8", straight, 4-pin, screw terminal connection, cable feedthrough 10.0 to 12.0 mm, core cross-section/terminal capacity 0.14 to 1.0 mm ² , plastic housing, metal nut | |
| BS4241-0/9 | 6901020 | Field-wireable male connector, 7/8", angled, 4-pin, screw terminal connection, cable feedthrough 6.0 to 8.0 mm, core cross-section/terminal capacity 0.14 to 1.5 mm ² , plastic housing, metal nut | |